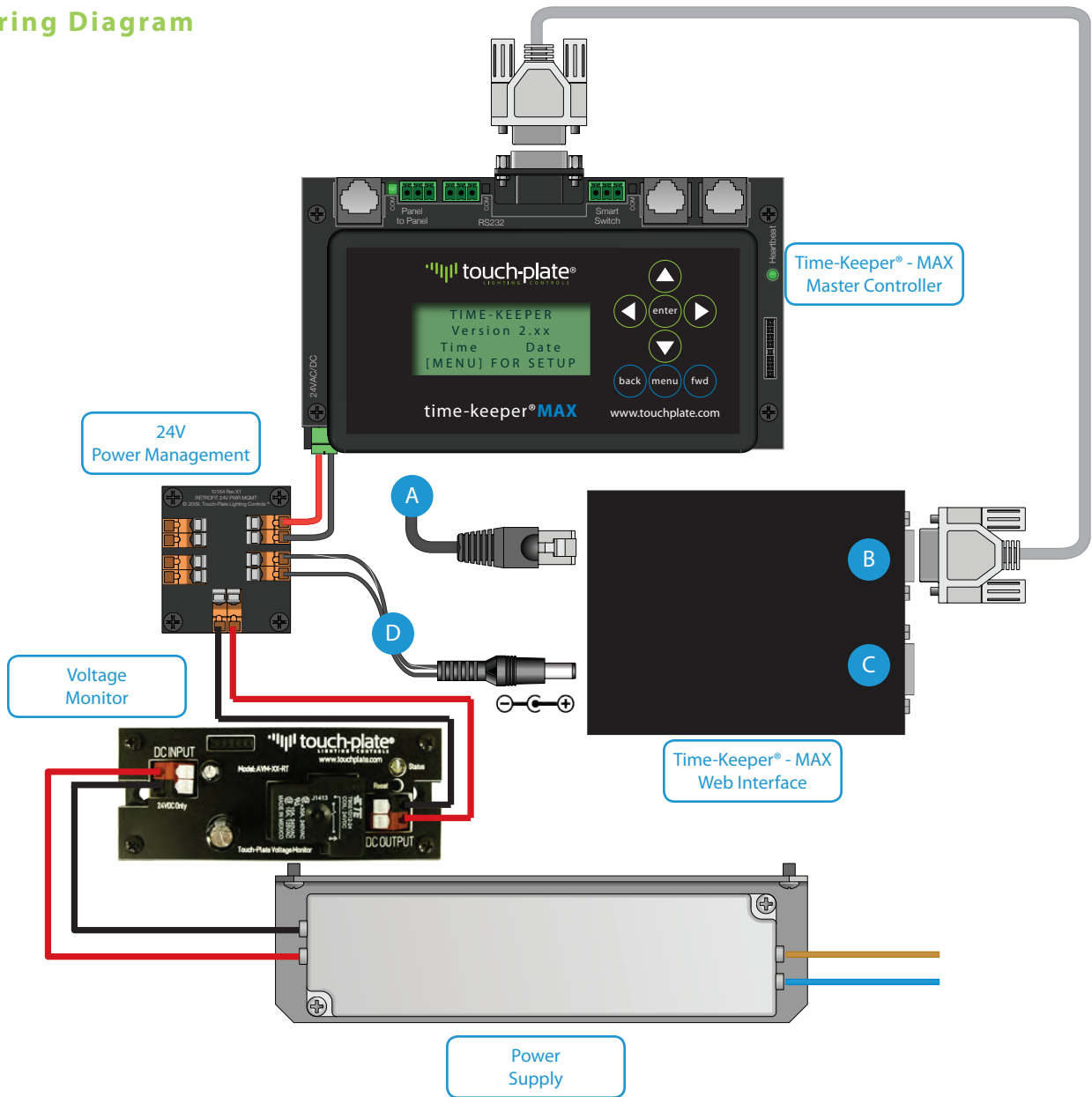


## Wiring Diagram



- A** To Internet ( Router, Switch, Hub )
- B** Port B Goes To Time-Keeper MAX RS232 DB9 Connector
- C** Port C Is An Unused Port
- D** DC Power Connection Is Polarity Sensitive, 7-24v DC

Wiring: Black/White Stripe = ( + )      Black = ( - )