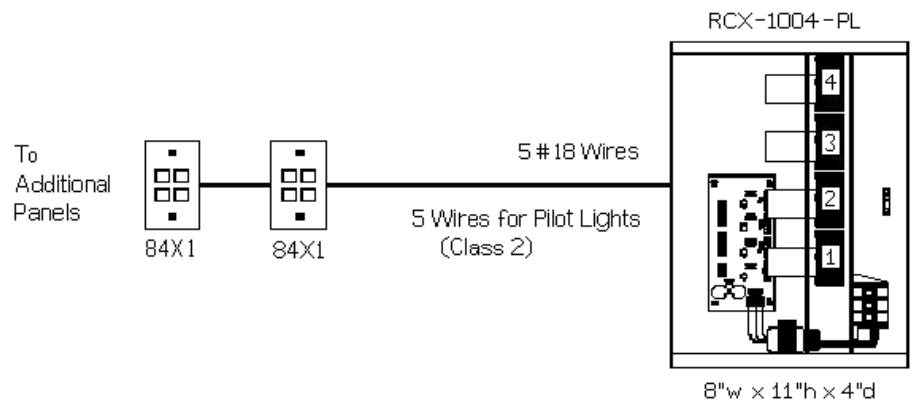
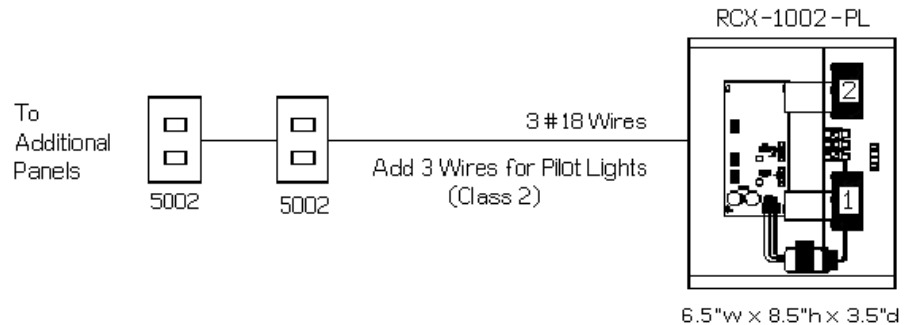


Touch-Plate® Lighting Controls

RCX Series Lighting Control Panels

- Factory pre-assembled and tested.
- ETL listed as an assembly.
- Easy to install and start-up.
- No programming skills required, simple switch based control assignments.
- Easy to upgrade older non-panel systems
- Simple switch based control includes remote pilot light annunciation.
- Built-in stuck switch protection.
- LED indicators for on/off status of each relay.
- Accepts Cycle inputs, Standard for each relay.
- 20 Amp 120 and 277 VAC lighting relays, (347 VAC Canada).

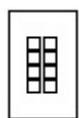


The RCX family of panels is a convenient and simple to install remote control switching systems for lighting & other electrical loads. They are pre-wired small steel enclosures with one, two, three, or four Touch-Plate 3000 series 20 amp relays, a power supply and a control terminal board.

The RCX panel relays are controlled by any of the Touch-Plate line of momentary contact switches. The switches are wired to the control terminal board inside the enclosure. The relays are operated one at a time from any number of momentary contact switches wired in parallel with no mastering.

The removable cover allows easy wiring access to both low voltage and high voltage sections. Each relay has a built-in terminal block for the line voltage connections. The control terminal board has silk-screened labels at each terminal for easy connection of the low voltage switch wires.

The compact size and simple features of the RCX panels provides remote lighting control at a minimum cost.



Touch-Plate® Lighting Controls

1830 Wayne Trace
Fort Wayne, IN 46803

Phone: 260-424-4323
Fax: 260-420-3651

Sales Support Email: sales@touchplate.com
World Wide Web: <http://www.touchplate.com>