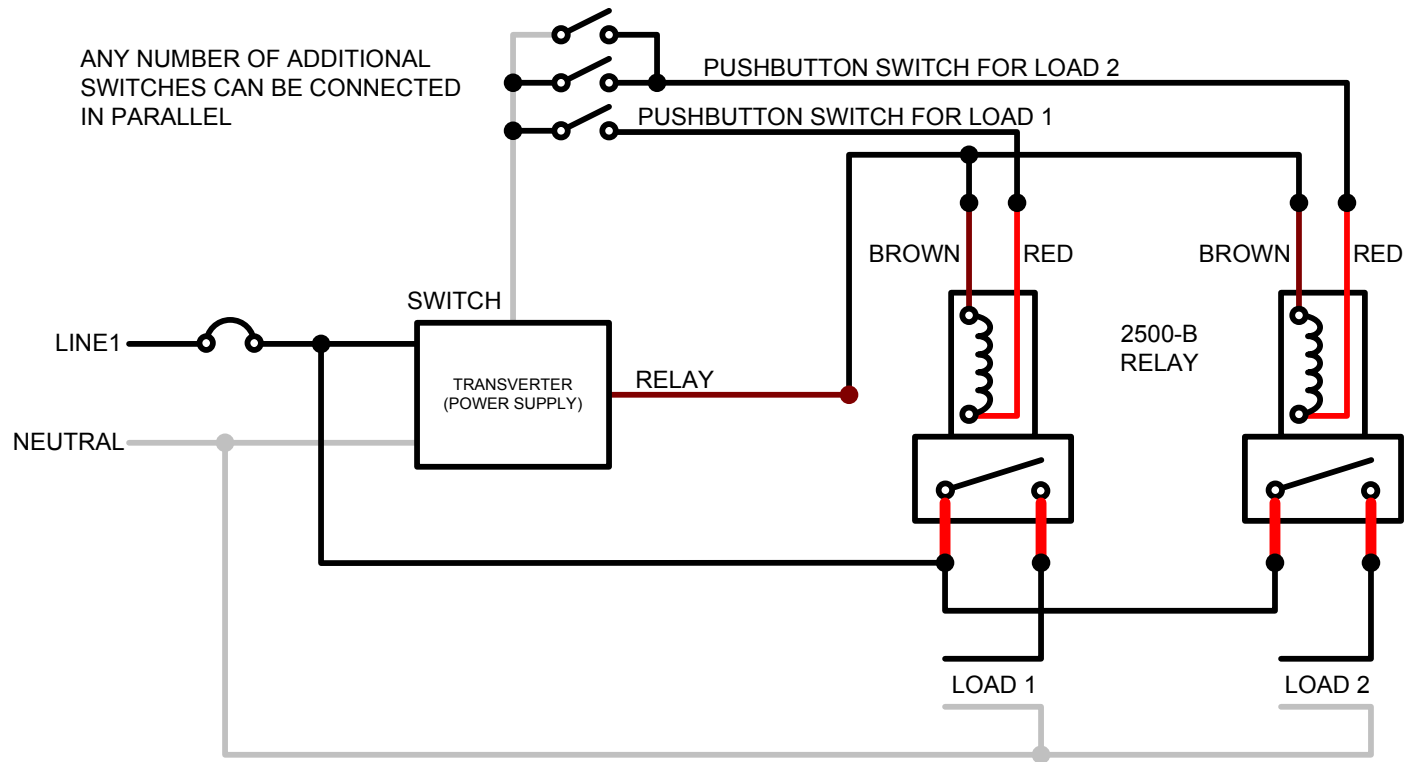


Touch-Plate[®] Lighting Controls

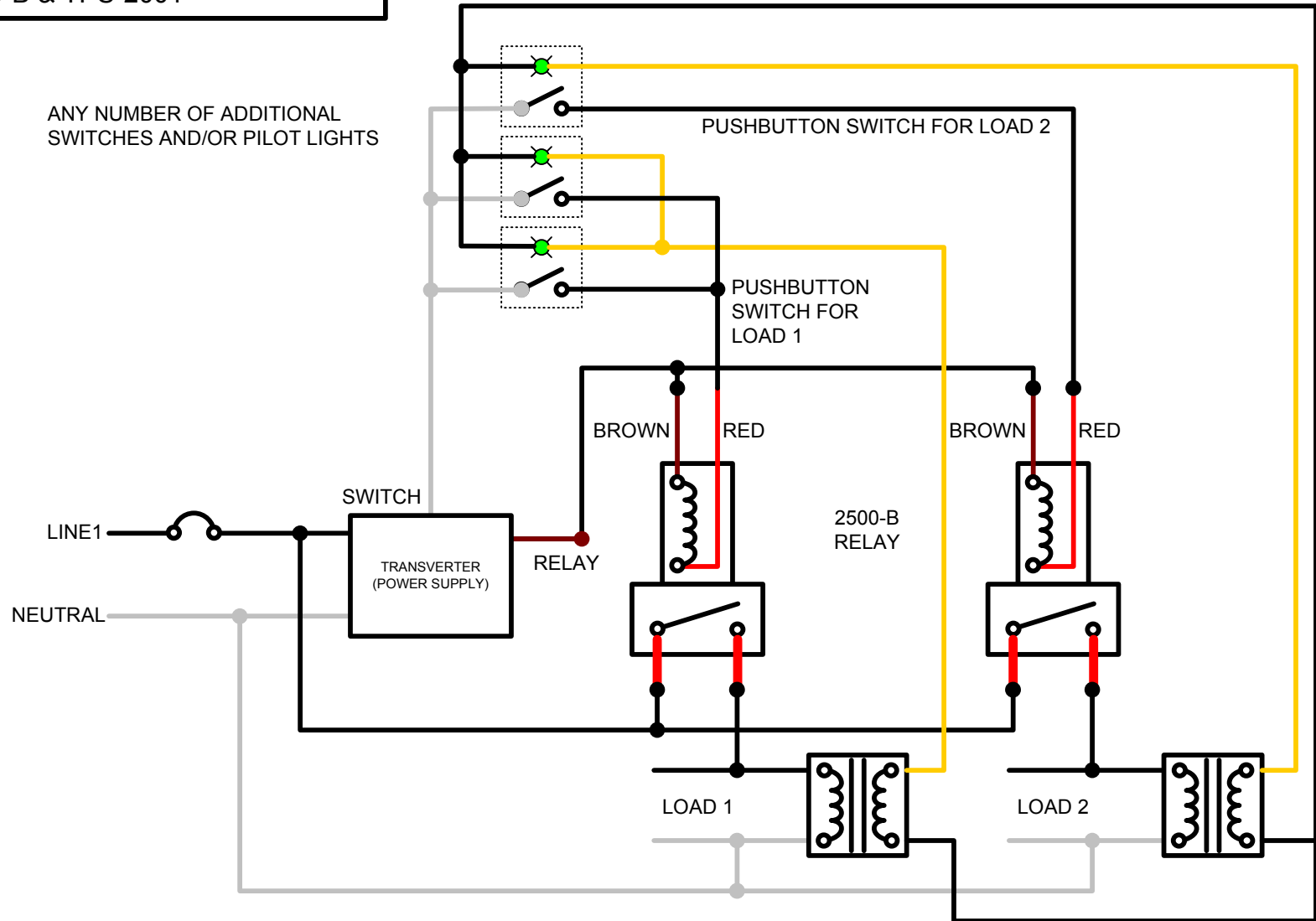
Historic System Wiring Schematics
2500-B



Basic installation using 2500-B relays.

Touch-Plate[®] Lighting Controls

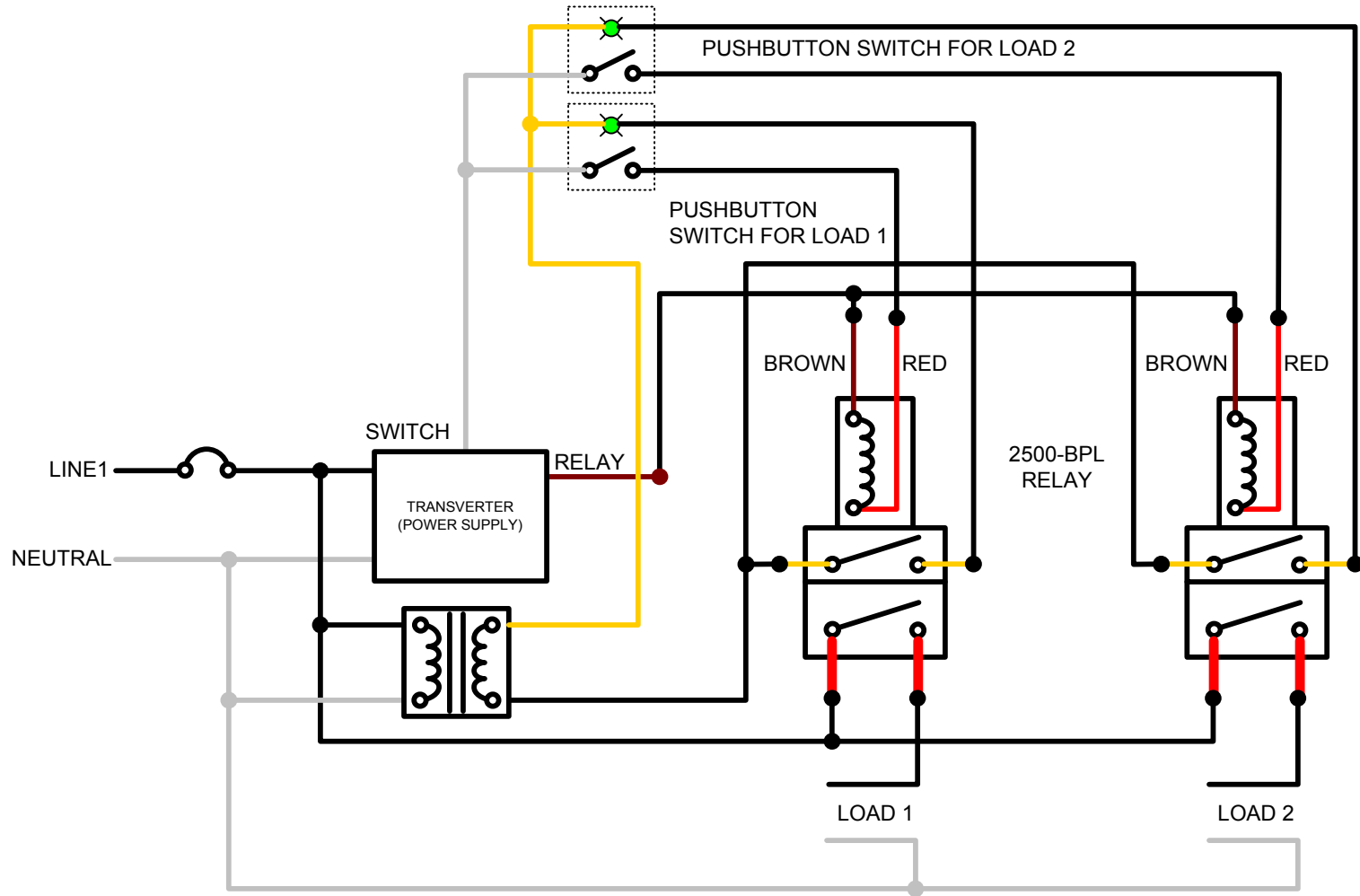
Historic System Wiring Schematics
2500-B & TPS-2001



Installation using PL-120, PL230 or PL-277, pilot light transformers, one per relay (max. 4 pilot lights per transformer) and 2500-B relays.

Touch-Plate[®] Lighting Controls

Historic System Wiring Schematics
2500-BPL & TPS-2003



Installation using TPS-2003 Transformer
(max. 30 pilot lights) & 2500-BPL Relays