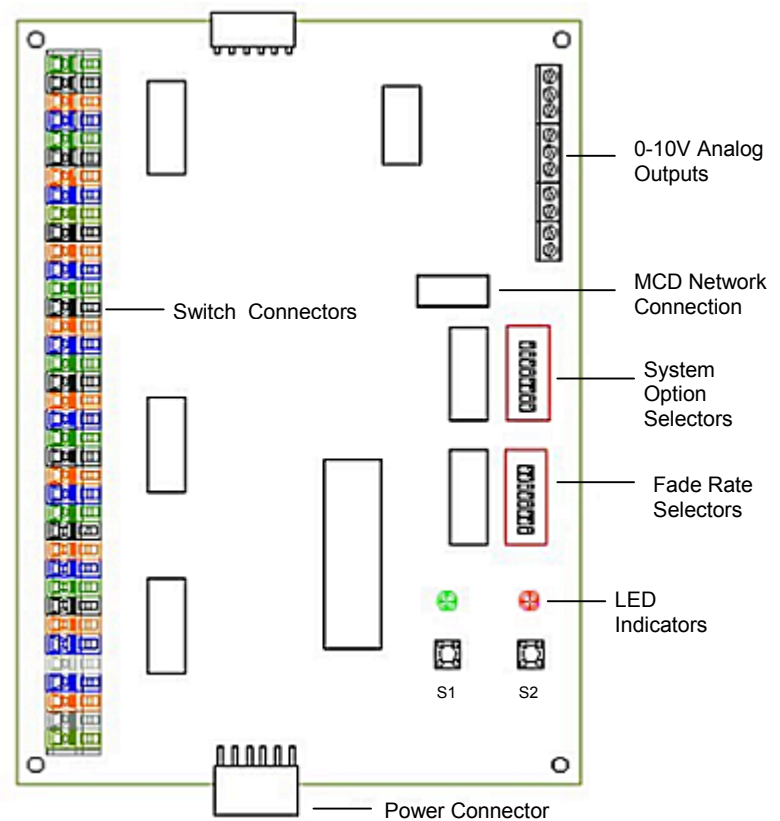


Touch-Plate® Lighting Controls

CPD-8000D Dimming Scene Module

- Provides a 0-10VDC signal for incandescent dimmers, dimmable fluorescent ballasts, and audio equipment designed for 0-10V control.
- Operates two of Touch-Plate Lighting Control's MCD-4000 dimmers over RS-485 network.
- Can operate 0-10VDC and MCD independently or simultaneously.
- Programmable at each individual switch station.
- Board mounts in any slot in CPS Lighting Control panel – designed specifically for CPS and CPSP.
- 8 channels of output.
- Use for building energy management:
 - Compatible with CPS Time-Keeper time clock
 - Use with BAS for peak load shaving utilizing 0-10VDC dimmable fluorescent ballasts.
- Each channel will sink 20 mA or source 35 mA of the 0-10VDC signal.
- 8 or 16 programmable scenes; 8/16 individual presets.
- EEPROM memory prevents failure. Outputs will return to the last level at power-up.
- Programmable fade rates of 3, 9, or 30 seconds.
- Programmable Emergency override or all-off.
- Programmable thresholds for maximum and minimum levels.



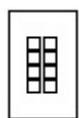
8" X 6" (same as CPS-8000 control board)

The Touch-Plate CPD-8000D module is a member of Touch-Plate's Control Plus Series family of innovative facility control devices. The CPD-8000D expands the CPS and CPSP capabilities by integrating fully featured dimming control to both commercial and residential applications.

The CPD-8000D provides sixteen high and low preset levels. By pressing and holding the ON or OFF switches, the output will dim in the given direction until the switch is released. When the switch is released, the level is memorized as a preset level. A single tap of the switch will then bring the light to the given preset. A second tap on the switch will then dim the light on or off, depending on the switch used.

The CPD-8000D can store up to 16 Master Scenes to control anywhere from 1 to 8 outputs at the same time. These master scenes are fully programmable for each output. The fade rate for each channel in each scene can be independently selected as 3, 9, or 30 seconds. This allows varied lighting and fade rates in different areas at the press of a single switch! Active scenes are indicated by the corresponding switch's LED. Scene-Set mode can be activated by a switch input or by pressing the Scene-Set button on the control board.

The features designed into this module enable it to be used in a multitude of applications. These include: restaurants, churches, classrooms, lecture halls, board rooms, open office areas for peak load shedding, and of course residences.



Touch-Plate® Lighting Controls

1830 Wayne Trace
Fort Wayne, IN 46803

Phone: 260-424-4323
Fax: 260-420-3651

Sales Support Email: sales@touchplate.com
World Wide Web: <http://www.touchplate.com>