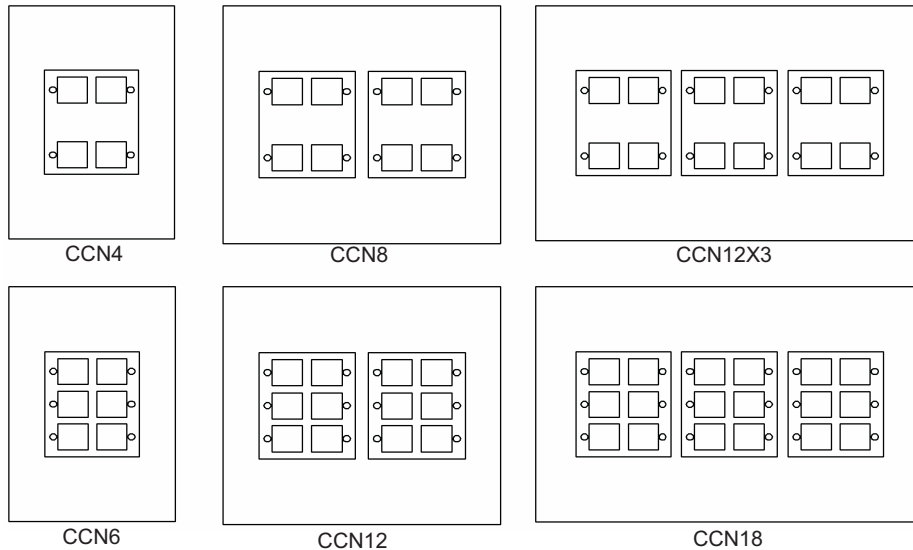


Touch-Plate® Lighting Controls

CCN Series / Low Voltage Switches

The CCN Series:

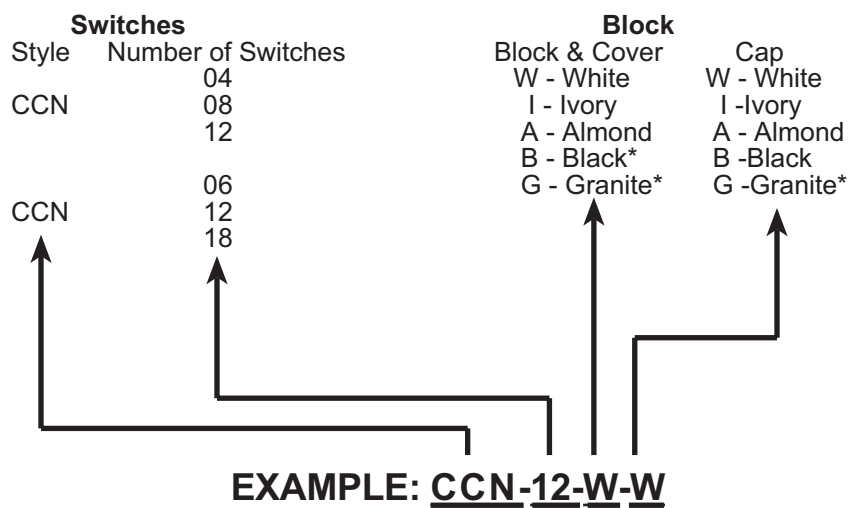
The Touch-Plate CCN Series Switches are newly updated and available in 4 button or 6 button per gang configurations and are available in multi-gang sizes. The plastic cover attaches into mounting holes with no exposed screws. These switches are designed for use with any new low voltage control system and are drop-in replacements for switches in older Touch-Plate lighting control systems.



Features:

- Plastic covers are standard
- May be used with Flushplate metal plates and frames
- Green LED pilot lights - Red LED special order
- 2 wire momentary push button switch
- Switch contacts rated 1 amp @ 28 volts
- Simplified wiring into labeled, color-coded terminals
- Caps can be engraved

The catalog number guide below illustrates the variations available and establishes the components to build a catalog number for ordering purposes. Switches, Plates and Frames have separate order numbers. To order, follow the example shown below. * Granite and Black covers available in single gang versions only.



1830 Wayne Trace
Fort Wayne, IN 46803

Phone: 260.424.4323
Fax: 260.420.3651

Sales Support Email: sales@touchplate.com
World Wide Web: <http://www.touchplate.com>